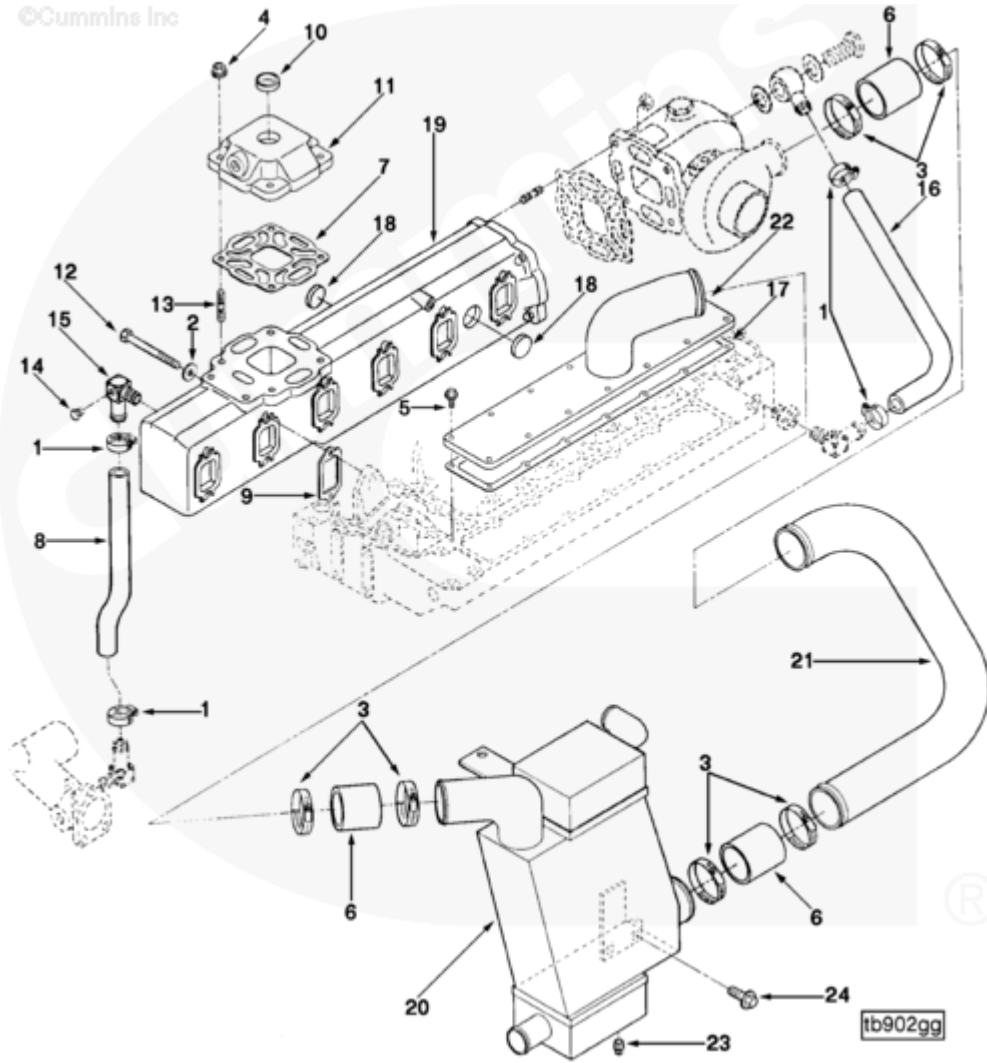




Parts Catalog - Option Detail

Electronic Parts Catalog - Option Detail				
Option	Group	Graphic	Film Card	Date
TB9106	10.06.1	tb902gg	T	08-NOV-91
Engines	4B3.9, 6A3.4, 6B5.9, B GAS INTERNATIONAL CM556, B4.5, B4.5 CM2350 B129B, B4.5 CM2350 B146C, B4.5 CM2350 B147B, B4.5 RGT, B4.5S, B5.9 G, B5.9 GAS PLUS CM556, B5.9 LPG, B5.9 LPG PLUS CM556, B6.7 CM2350 B121B, B6.7 CM2350 B135B, B6.7 CM2350 B136C, B6.7 CM2350 B148B, B6.7 G CMOH6.0 B125, B6.7N CM2380 B150B, B6.7S, F3.8 CM2350 F120B, F3.8 CM2350 F128C, F3.8 CM2350 F132B, F3.8 F102, G3.9, G5.9, G5.9 CM558, ISB (CHRYSLER), ISB CM2150, ISB CM2150 E, ISB CM550, ISB CM850, ISB/ISD4.5 CM2150 B119, ISB/ISD4.5 CM2150 SN, ISB/ISD6.7 CM2150 B120, ISB/ISD6.7 CM2150 SN, ISB/ISD6.7 CM2880 B126, ISB3.9 CM2220 B107, ISB4.5 CM2150, ISB5.9G CM2180, ISB6.7 2010 DCX PICKUP, ISB6.7 2013 DCX CHASSIS CAB, ISB6.7 CM2150 SQ, ISB6.7 CM2250, ISB6.7 CM2350 B101, ISB6.7 CM2350 B103, ISB6.7 CM2350 B142, ISB6.7 CM2670 B153B, ISB6.7 G CM2180 B118, ISBE CM2150, ISBE CM800, ISBE2/ISBE3 CM850, ISBE4 CM850, ISD4.5 CM2150, ISD6.7 CM2880 D101, ISF2.8 CM2220, ISF2.8 CM2220 AN, ISF2.8 CM2220 EC, ISF2.8 CM2220 ECF2, ISF2.8 CM2220 F101, ISF2.8 CM2220 F117, ISF2.8 CM2220 F122, ISF2.8 CM2220 F126, ISF2.8 CM2220 F129, ISF2.8 CM2220 IAN, ISF3.8 CM2220, ISF3.8 CM2220 AN, ISF3.8 CM2220 F103, ISF3.8 CM2220 F110, ISF3.8 CM2220 F116, ISF3.8 CM2220 F134B, ISF3.8 CM2220 IAN, ISF3.8 CM2350 F109, ISF4.5 CM2220 F123, ISG11 CM2880 G106, ISG11 CM2880 G108, ISG12 CM2880 G107, ISG12 CM2880 G109, ISG12 G CMOH6.0 G111, QSB3.9 30 CM550, QSB3.9 CM2880 B138, QSB4.5 30 CM550, QSB4.5 CM2150 B108, QSB4.5 CM2250 B131, QSB4.5 CM2250 EC, QSB4.5 CM2350 B106, QSB4.5 CM2350 B122			



SMALL | MEDIUM | LARGE

Cart	Ref No	Part Number	Part Description	Required	Remarks
View My Cart					
		TB9106	Turbocharger Location		Rear mounted turbocharger...(More)
					location for Marine 6BTA5.9M2
					Configuration includes
					watercooled manifold and sea
					water aftercooler. To be used
					with twin disco MG506 and
					MG506 a marine gears.
<input type="checkbox"/>	1	210753	Hose Clamp	4	9/16 - 1 1/4 in
<input type="checkbox"/>	2	3009330	Plain Washer	12	M10.
<input type="checkbox"/>	3	3026396	Hose Clamp	6	2 1/16 - 3 in.

<input type="checkbox"/>	4	3818824	Hexagon Flange Nut	4	M10 X 1.50.
<input type="checkbox"/>	5	3918109	Hexagon Flange Head Cap Screw	14	M8 x 1.25 x 25
<input type="checkbox"/>	6	3916437	Plain Hose	3	
<input type="checkbox"/>	7	3916300	Turbocharger Gasket	1	
<input type="checkbox"/>	8	3905089	Plain Hose	1	19.1mm I.D.x469.9mm long
	9	3905443	Exhaust Manifold Gasket	6	
<input type="checkbox"/>		3907165	Water Transfer Connection	1	
<input type="checkbox"/>	10	3007636	Expansion Plug	1	
	11	3904971	Water Transfer Connection	1	
<input type="checkbox"/>	12	3916518	Hexagon Flange Head Cap Screw	12	M10 X 1.50 X 125.
<input type="checkbox"/>	13	3907978	Stud	4	M10 x 1.50(Both Ends) x 50
		3908225	Hose Coupling	1	
<input type="checkbox"/>	14	3906619	Pipe Plug	1	1/8 NPT.
<input type="checkbox"/>	15	3908221	Elbow Hose Coupling	1	
<input type="checkbox"/>	16	3914025	Plain Hose	1	19.1mm I.D x914.4mm long
	17	3914029	Intake Manifold Cover Gasket	1	TCL use Only
<input type="checkbox"/>		3914970	Exhaust Manifold	1	
<input type="checkbox"/>	18	3908092	Expansion Plug	3	
<input type="checkbox"/>	19	3914969	Exhaust Manifold	1	
<input type="checkbox"/>	20	3915546	Aftercooler	1	
<input type="checkbox"/>	21	3915551	Air Tube	1	
<input type="checkbox"/>	22	3915554	Intake Manifold Cover	1	
<input type="checkbox"/>	23	S 949 B	Pipe Plug	1	1/8 NPT
<input type="checkbox"/>	24	3901249	Hexagon Flange Head Cap Screw	2	M12 X 1.75 X 25.